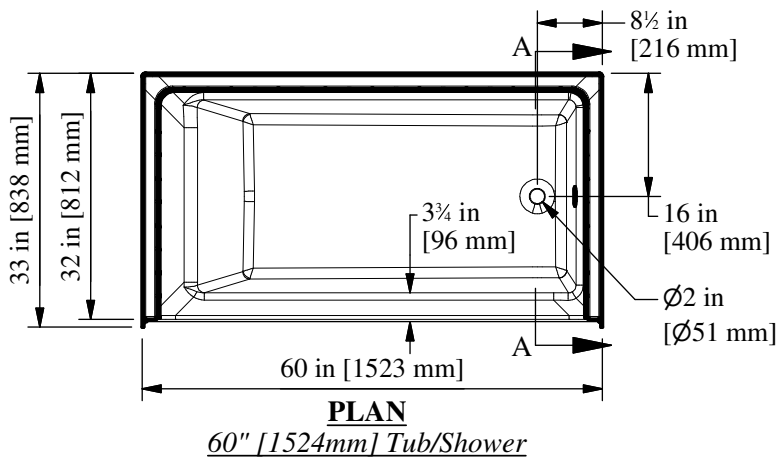
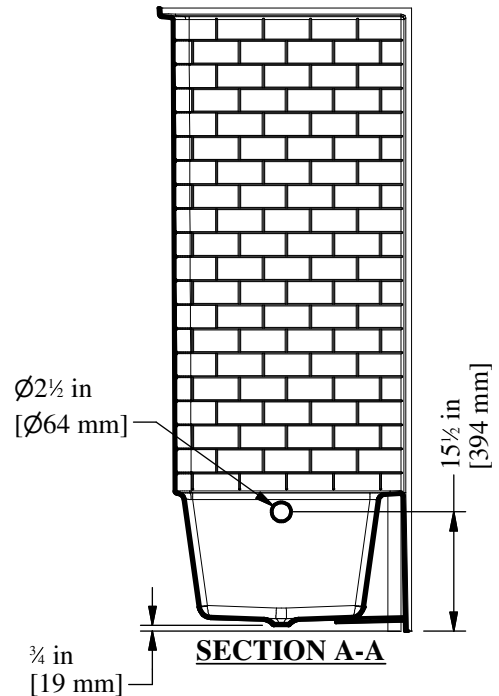
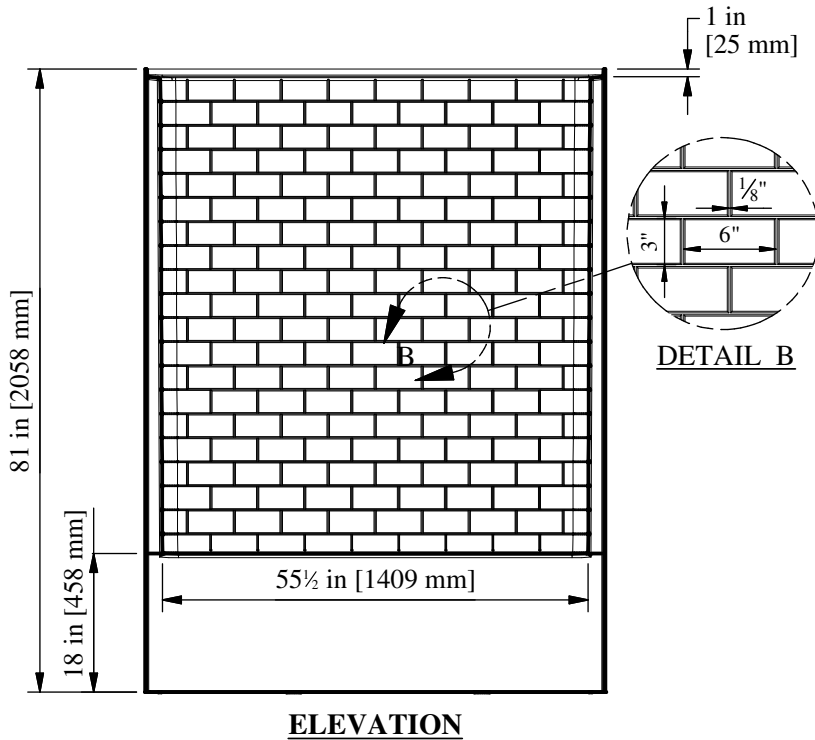


Clarion

BATHWARE



Right Hand Version (8032STR) Shown

PRODUCT SPECIFICATIONS:

- Certified to meet CSA B45.5/IAPMO Z124 Standard.
- Product has a Class B fire rating as determined by ASTM E-84 test method.
- Reinforced & slip resistant floor.
- Integral 1" [25mm] nailing flange.
- Factory drilled 2-1/2" overflow.
- Bathwell Dimensions (At Top): W-49 1/2" [1257mm]
D-25 1/8" [638mm]
H-16 3/8" [416mm]
- Bathwell Dimensions (At Bottom): W-42 1/4" [1073mm]
D-21 3/8" [543mm]
- Door Opening: W- 55 1/2" [1409mm]
H- 62" [1575mm]
- Bathwell Capacity (At Overflow): 52 gal. [197L]
- Water Level (At Overflow): 12 5/8" [321mm]
- All dimensions +/- 1/2" [12.8mm]
- Clarion Bathware reserves the right to change design and/or dimensions.
- Dimensions are the same for all other versions of this model.

8032STL or 8032STR

6032STT - 60" Simulated Subway Tile Tub/Shower w/ 18" Apron & Left or Right Hand Drain

Clarion
BATHWARE
44 Amsler Ave.
Shippenville, PA 16254

Phone: (814) 226-5374
Toll Free: (800) 576-9228
Fax: (814) 226-0730
www.clarionbathware.com

Mold Fabrication will not begin until approved drawing is received.
Standard mold production is (_____ weeks) unless quoted otherwise.

Signatures For Approval: _____ Date: _____
Customer: _____
Clarion Engineer: _____
Clarion SVP of Sales: _____

DWG. #
8032STL or STR -CUT

Dwg. By: CAL
Date: 6/01/2021